

*MULTI-POSITION, MULTI-SPEED,
ECM-BASED AIR HANDLER
WITH INTERNAL TXV
1½ TO 5 TONS*



Contents

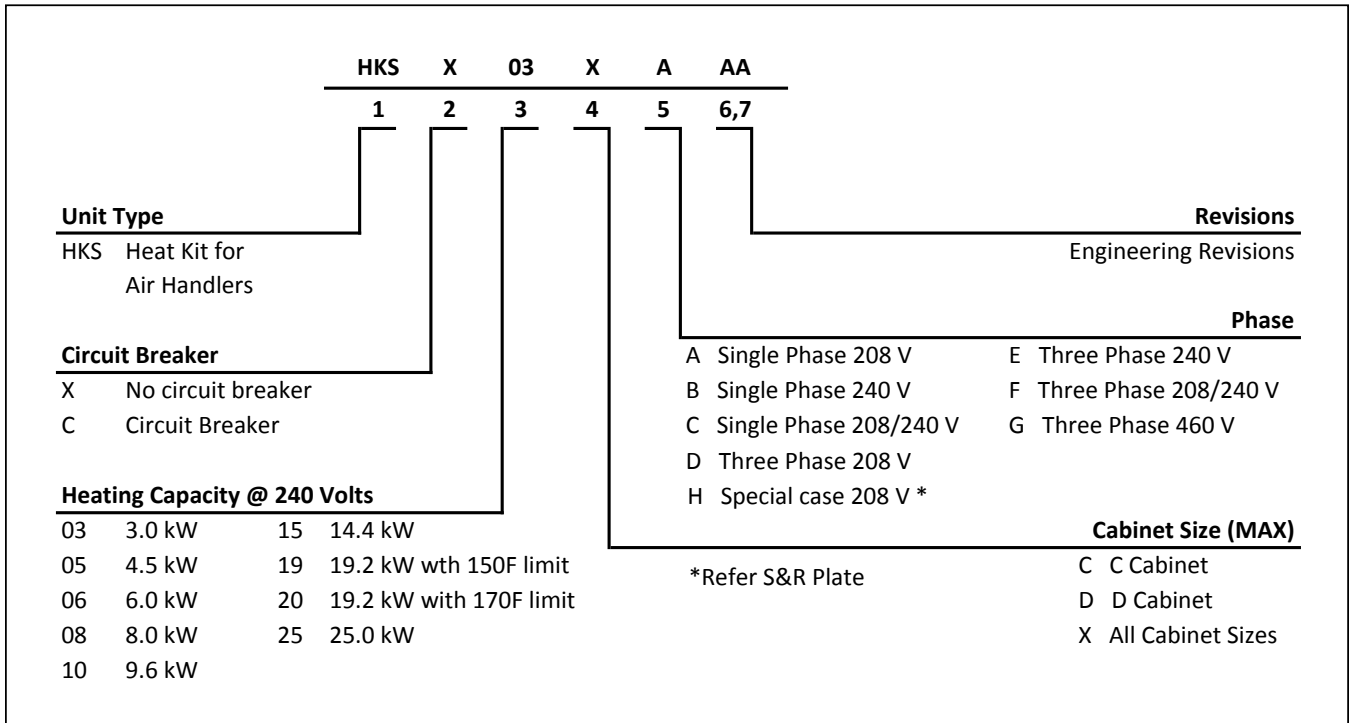
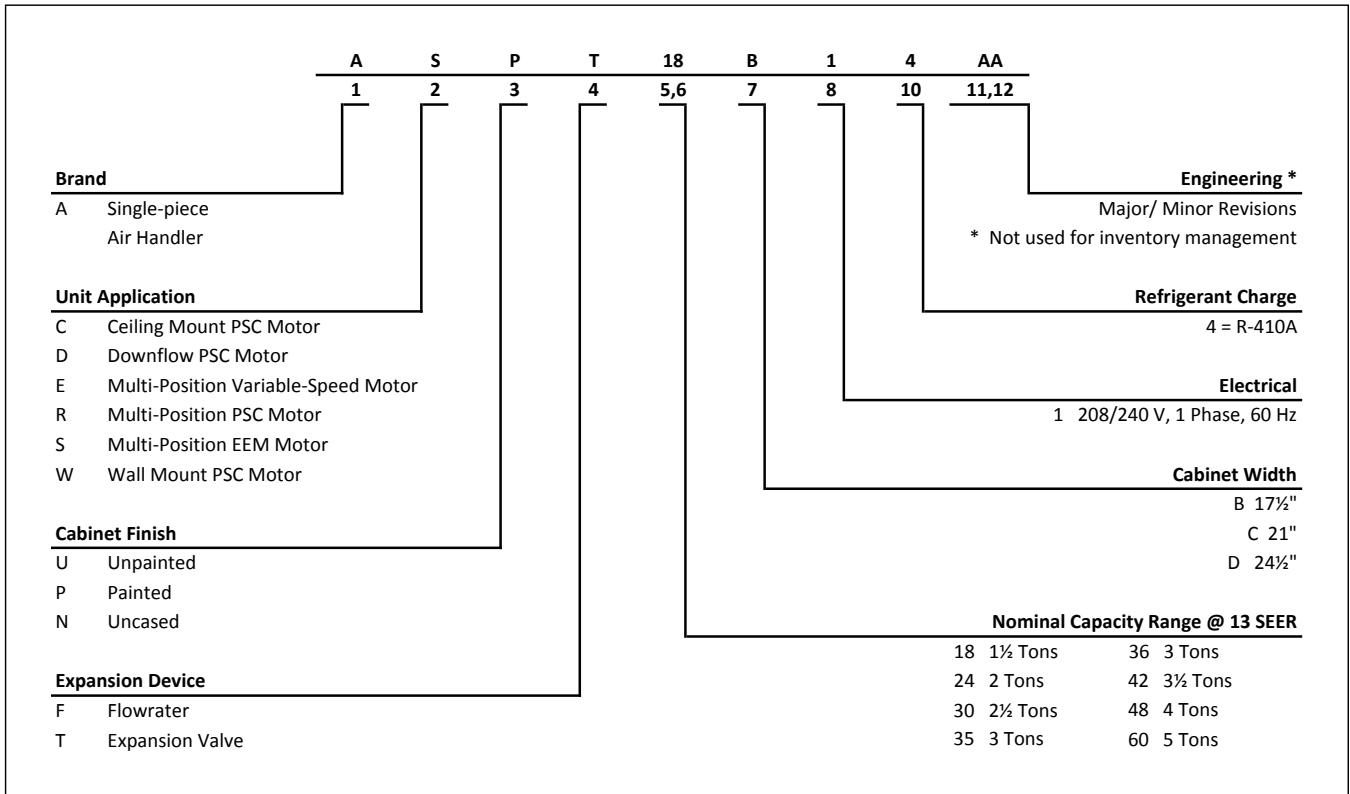
Air Handler Nomenclature.....	2
Heater Kit Nomenclature	2
Product Specifications.....	3
Dimensions	4
Airflow Data	6
Heat Kit Data.....	7
Wiring Diagram.....	12
Accessories	15

Product Features

- Internal factory-installed thermal expansion valves for cooling and heat pump applications
- Direct drive, multi-speed ECM blower motor
- All-aluminum evaporator coil
- Coil mounting track for quick repositioning
- Optimized for use with R-410A refrigerant
- Cabinet air leakage less than 2.0% at 1.0 inch H₂O when tested in accordance with ASHRAE standard 193
- Cabinet air leakage less than 1.4% at 0.5 inch H₂O when tested in accordance with ASHRAE standard 193
- 3 kW – 25 kW electric heater kits
- AHRI certified; ETL listed
- Rigid SmartFrame™ cabinet
- Horizontal or vertical configuration capabilities
- 21" depth for easier attic access
- DecaBDE-free thermoplastic drain pan with secondary drain connections
- Screw-less sides and back helps to reduce condensation when installed in humid locations
- Foil-faced insulation covers the internal casing to reduce cabinet condensation
- Galvanized, leather grain-embossed finish
- Glue-less cabinet insulation retention
- Tool-less filter access



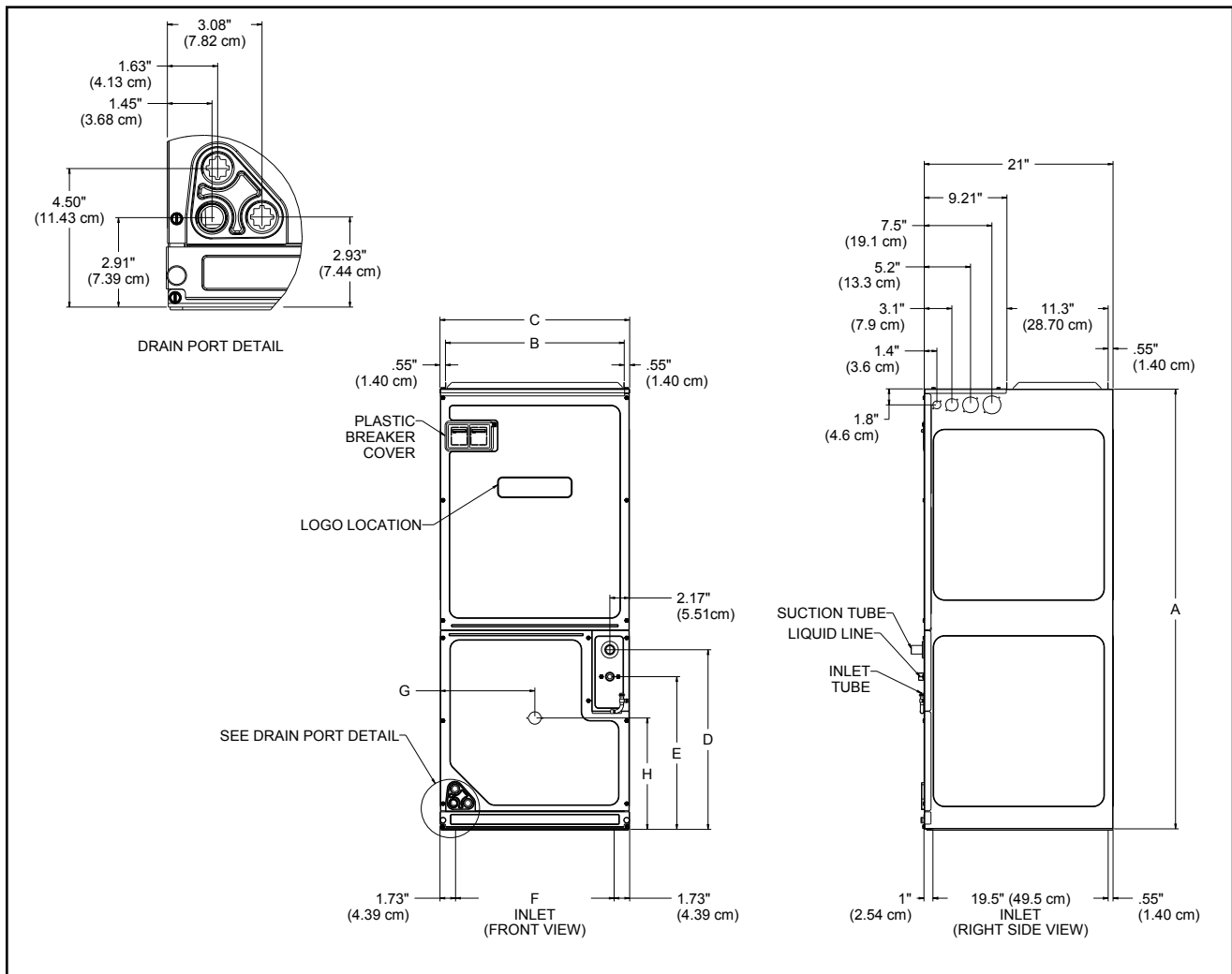
* Complete warranty details available from your local dealer or at www.daikincomfort.com. To receive the 12-Year Parts Limited Warranty, online registration must be completed within 60 days of installation. Additional requirements for annual maintenance are required for the Unit Replacement Limited Warranty. Online registration and some of the additional requirements are not required in California or Quebec.



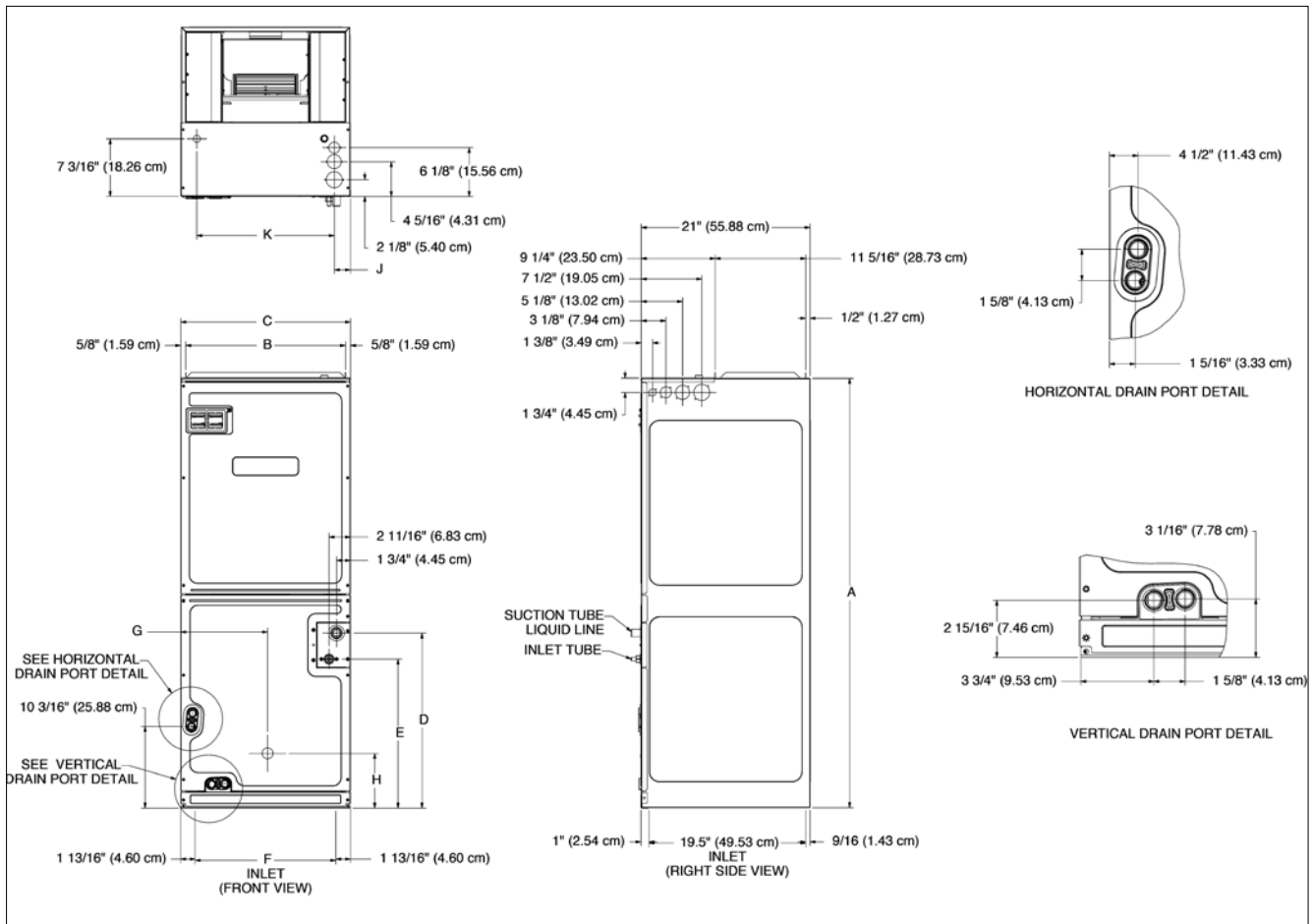
	ASPT 25B14*	ASPT 29B14*	ASPT 35B14*	ASPT 37B14*	ASPT 37C14*	ASPT 47C14*	ASPT 59C14*	ASPT 47D14*	ASPT 49D14*	ASPT 61D14*
NOMINAL RATINGS										
Cooling (Btu/h)	24,000	24,000	28,000	30,000	36,000	42,000	60,000	42,000	48,000	60,000
BLOWER										
Diameter	9½"	9½"	9½"	9½"	10⅝"	10⅝"	10⅝"	10⅝"	11 ¹⁵ / ₁₆ "	11 ¹⁵ / ₁₆ "
Width	6"	6"	6"	6"	8"	10⅝"	10⅝"	10⅝"	10⅝"	10⅝"
COIL CONNECTIONS										
Liquid	⅜"	⅜"	⅜"	⅜"	⅜"	⅜"	⅜"	⅜"	⅜"	⅜"
Suction	¾"	⅞"	¾"	⅞"	⅞"	⅞"	⅞"	⅞"	⅞"	⅞"
Coil Drain Connect (FPT)	¾"	¾"	¾"	¾"	¾"	¾"	¾"	¾"	¾"	¾"
ELECTRICAL DATA										
Voltage	208 / 230	208 / 230	208/230	208 / 230	208 / 230	208 / 230	208 / 230	208 / 230	208 / 230	208 / 230
Minimum Circuit Ampacity	5.8 / 5.8	5.8 / 5.8	5.6/5.6	5.6 / 5.6	5.6 / 5.6	5.6 / 5.6	7.9 / 7.9	5.6 / 5.6	8.6 / 8.6	8.6 / 8.6
Max. Overcurrent Device (Amps)	15 / 15	15 / 15	15/15	15 / 15	15 / 15	15 / 15	15/15	15 / 15	15 / 15	15 / 15
Minimum VAC	197	197	197	197	197	197	197	197	197	197
Maximum VAC	253	253	253	253	253	253	253	253	253	253
Blower Motor										
Full Load Amps (FLA)	4.6	4.6	4.5	4.5	4.5	4.5	6.3	4.5	6.9	6.9
Horsepower (HP)	¾	¾	¾	¾	¾	¾	1	¾	1	1
SHIP WEIGHT (LBS.)	116	129	129	129	144	144	144	155	167	167

*Airflow rate @.3 static

Note: Assumes dry coil; SCFM correction for wet coil = 4% (208V / 240V)



MODEL	A"	B"	C"	D"	E"	F"	G"	H"
ASPT25B14*	45	16%	17½	15¼	12	14⅙	9%	12%
ASPT29B14*	53 ⁷ / ₁₆	16%	17½	23 ¹¹ / ₁₆	20½	14⅙	9%	7%
ASPT35B14*	45	16%	17½	15¼	12	14⅙	9%	12%
ASPT37B14*	53 ⁷ / ₁₆	16%	17½	23 ¹¹ / ₁₆	20½	14⅙	9%	7%
ASPT37C14*	53 ⁷ / ₁₆	19%	21	21 ¹³ / ₁₆	18%	17 ¹¹ / ₁₆	10 ¹³ / ₁₆	6 ¹³ / ₁₆
ASPT47C14*	53 ⁷ / ₁₆	19%	21	21 ¹³ / ₁₆	18%	17 ¹¹ / ₁₆	10 ¹³ / ₁₆	6 ¹³ / ₁₆
ASPT59C14*	53 ⁷ / ₁₆	19%	24½	21½	18 ⁵ / ₁₆	21 ³ / ₁₆	12%	6%
ASPT47D14*	53 ⁷ / ₁₆	23 ⁵ / ₁₆	24½	26%	22%	21 ³ / ₁₆	12%	25%
ASPT49D14*	58	23 ⁵ / ₁₆	21	21 ¹³ / ₁₆	18%	17 ¹¹ / ₁₆	10 ¹³ / ₁₆	6 ¹³ / ₁₆
ASPT61D14	58	23 ⁵ / ₁₆	24½	26%	22%	21 ³ / ₁₆	12%	25%



MODEL	A"	B"	C"	D"	E"	F"	G"	H"
ASPT61D14	58	$23\frac{5}{16}$	$24\frac{1}{2}$	$26\frac{5}{8}$	$22\frac{7}{8}$	$21\frac{3}{16}$	$12\frac{3}{8}$	$25\frac{1}{8}$

MODEL	SPEED TAP	STATIC PRESSURE (IN W.C)									
		0.1	0.2	0.3	0.4	0.5	0.6	0.7	0.8	0.9	1.0
ASPT 25B14AA	1	640	585	580	545	510	490	410	340	280	
	2	800	765	725	700	670	645	595	565	490	
	3	840	805	800	760	740	700	670	625	580	
	4	985	950	920	885	850	815	800	760	725	
	5	1,475	1,440	1,400	1,375	1,335	1,305	1,270	1,240	1,150	
ASPT 29B14AA	1	595	590	565	530	505	455	380	305	260	
	2	790	775	745	705	665	625	585	515	445	
	3	865	820	790	770	735	695	645	595	530	
	4	1,015	980	955	925	880	840	795	770	720	
	5	1,505	1,465	1,430	1,410	1,385	1,350	1,315	1,285	1,220	
ASPT 35B14AA	1	875	845	845	825	795	780	730	680	630	
	2	985	945	925	915	905	880	845	795	760	
	3	1070	1025	990	985	980	960	940	905	860	
	4	1245	1205	1170	1135	1115	1115	1100	1090	1035	
	5	1310	1275	1230	1190	1155	1135	1085	1080	1040	
ASPT 37B14AA	1	1,025	985	945	910	875	830	795	735	690	
	2	1,150	1,105	1,065	1,025	995	950	915	870	825	
	3	1,240	1,200	1,160	1,120	1,085	1,050	1,010	970	925	
	4	1,425	1,400	1,355	1,320	1,290	1,250	1,215	1,180	1,145	
	5	1,490	1,455	1,415	1,390	1,355	1,320	1,285	1,250	1,205	
ASPT 37C14AA	1	980	935	895	860	825	800	755	710	665	
	2	1,125	1,075	1,045	1,000	965	930	880	845	820	
	3	1,235	1,190	1,155	1,120	1,085	1,045	1,005	965	920	
	4	1,485	1,450	1,425	1,390	1,355	1,315	1,275	1,230	1,190	
	5	1,565	1,535	1,510	1,480	1,240	1,390	1,365	1,320	1,280	
ASPT 47C14AA	1	955	895	855	840	780	735	675	615	560	
	2	1,100	1,050	1,005	965	925	870	815	770	705	
	3	1,205	1,160	1,120	1,075	1,035	990	940	885	830	
	4	1,445	1,410	1,365	1,320	1,275	1,235	1,190	1,140	1,095	
	5	1,525	1,480	1,435	1,400	1,360	1,320	1,275	1,230	1,180	
ASPT 47D14AA	1	1,055	1,015	950	895	830	785	730	680	620	
	2	1,210	1,165	1,110	1,070	1,015	960	900	840	785	
	3	1,335	1,290	1,250	1,205	1,145	1,100	1,050	980	910	
	4	1,625	1,580	1,530	1,495	1,455	1,405	1,350	1,295	1,230	
	5	1,720	1,670	1,625	1,580	1,540	1,490	1,435	1,390	1,325	
ASPT 49D14AA	1	1,485	1,435	1,380	1,320	1,265	1,200	1,230	1,015	930	
	2	1,570	1,525	1,480	1,430	1,370	1,315	1,235	1,155	1,035	
	3	1,680	1,600	1,570	1,555	1,475	1,430	1,360	1,280	1,185	
	4	1,800	1,765	1,715	1,670	1,625	1,590	1,510	1,465	1,390	
	5	2,215	2,160	2,120	2,085	2,040	2,000	1,970	1,930	1,865	
ASPT 59C14AA	1	1,370	1,330	1,295	1,255	1,215	1,180	1,140	1,100	1,060	
	2	1,535	1,500	1,465	1,430	1,405	1,370	1,335	1,300	1,210	
	3	1,680	1,645	1,615	1,575	1,545	1,510	1,440	1,330	1,205	
	4	1,905	1,855	1,780	1,690	1,605	1,515	1,425	1,330	1,205	
	5	1,940	1,855	1,775	1,700	1,605	1,505	1,420	1,320	1,205	
ASPT 61D14AA	1	1,545	1,495	1,440	1,390	1,335	1,260	1,180	1,080	1,030	
	2	1,745	1,695	1,625	1,575	1,525	1,475	1,400	1,360	1,275	
	3	1,905	1,855	1,815	1,770	1,725	1,670	1,635	1,575	1,500	
	4	2,155	2,105	2,090	2,045	2,000	1,970	1,935	1,890	1,830	
	5	2,340	2,310	2,265	2,220	2,185	2,165	2,120	2,080	2,030	

NOTES

- The chart is for information only. For satisfactory operation, external static pressure must not exceed value shown on rating plate.
- Use the CFM adjustment factors of .98 for horizontal left, .95 for horizontal right & .96 for downflow orientations.
- Assumes dry coil with filter in place.
- All models are shipped from the factory with the speed tap set on T4.
- Assumes dry coil; SCFM correction for wet coil = 4%
- All ASPT models are shipped from the factory with the speed tap set on T4.

MODEL		CIRCUIT 1			CIRCUIT 2			SINGLE-POINT KIT	
		HEATER AMPS	MCA ¹	MOP ²	HEATER AMPS	MCA ¹	MOP ²	MCA ¹	MOP ²
ASPT25B14AA		0/0	5.8/5.8	15/15	---	---	---	---	---
HKSX03XC - 208 V	No Breaker	10.8	19	20	---	---	---	---	---
HKSX05XC - 208 V		17.3	27	30	---	---	---	---	---
HKSX06XC - 208 V		21.6	33	35	---	---	---	---	---
HKSX08XC - 208 V		28.8	42	45	---	---	---	---	---
HKSX10XC - 208 V		34.6	49	50	---	---	---	---	---
HKSC05XC - 208 V	Breaker	17.3	27	30	---	---	---	---	---
HKSC08XC - 208 V		28.8	42	45	---	---	---	---	---
HKSC10XC - 208 V		34.6	49	50	---	---	---	---	---
HKSX03XC - 240 V	No Breaker	12.5	21	25	---	---	---	---	---
HKSX05XC - 240 V		20.0	31	35	---	---	---	---	---
HKSX06XC - 240 V		25	37	40	---	---	---	---	---
HKSX08XC - 240 V		33.3	47	50	---	---	---	---	---
HKSX10XC - 240 V		40.0	56	60	---	---	---	---	---
HKSC05XC - 240 V	Breaker	20.0	31	35	---	---	---	---	---
HKSC08XC - 240 V		33.3	47	50	---	---	---	---	---
HKSC10XC - 240 V		40.0	56	60	---	---	---	---	---
ASPT35B14AA		0/0	5.6/5.6	15/15	---	---	---	---	---
HKSX03XC - 208 V	No Breaker	10.8	19	20	---	---	---	---	---
HKSX05XC - 208 V		17.3	27	30	---	---	---	---	---
HKSX06XC - 208 V		21.7	33	35	---	---	---	---	---
HKSX08XC - 208 V		28.9	42	45	---	---	---	---	---
HKSX10XC - 208 V		34.7	49	50	---	---	---	---	---
HKSX15XC - 208 V		34.7	49	50	---	---	---	---	---
HKSC05XC - 208 V	Breaker	17.3	27	30	---	---	---	---	---
HKSC08XC - 208 V		28.9	42	45	---	---	---	---	---
HKSC10XC - 208 V		34.7	49	50	---	---	---	---	---
HKSX15XC - 208 V		34.7	49	50	17.3	22	25	71	80
HKSX03XC - 240 V	No Breaker	12.5	21	25	---	---	---	---	---
HKSX05XC - 240 V		20.0	31	35	---	---	---	---	---
HKSX06XC - 240 V		25.0	37	40	---	---	---	---	---
HKSX08XC - 240 V		33.3	47	50	---	---	---	---	---
HKSX10XC - 240 V		40.0	56	60	---	---	---	---	---
HKSX15XC - 240 V		40.0	56	60	---	---	---	---	---
HKSC05XC - 240 V	Breaker	20.0	31	35	---	---	---	---	---
HKSC08XC - 240 V		33.3	47	50	---	---	---	---	---
HKSC10XC - 240 V		40.0	56	60	---	---	---	---	---
HKSX15XC - 240 V		40.0	56	60	20	25	25	81	90
ASPT29B14AA		0/0	5.8/5.8	15/15	---	---	---	---	---
HKSX03XC - 208 V	No Breaker	10.8	19	20	---	---	---	---	---
HKSX05XC - 208 V		17.3	27	30	---	---	---	---	---
HKSX06XC - 208 V		21.7	33	35	---	---	---	---	---
HKSX08XC - 208 V		28.9	42	45	---	---	---	---	---
HKSX10XC - 208 V		34.7	49	50	---	---	---	---	---
HKSC05XC - 208 V	Breaker	17.3	27	30	---	---	---	---	---
HKSC08XC - 208 V		28.9	42	45	---	---	---	---	---
HKSC10XC - 208 V		34.7	49	50	---	---	---	---	---
HKSC15XA - 208 V		34.7	49	50	17.3	22	25	71	80
HKSX03XC - 240 V	No Breaker	12.5	21	25	---	---	---	---	---
HKSX05XC - 240 V		20	31	35	---	---	---	---	---
HKSX06XC - 240 V		25	37	40	---	---	---	---	---
HKSX08XC - 240 V		33.3	47	50	---	---	---	---	---
HKSX10XC - 240 V		40	56	60	---	---	---	---	---
HKSC05XC - 240 V	Breaker	20	31	35	---	---	---	---	---
HKSC08XC - 240 V		33.3	47	50	---	---	---	---	---
HKSC10XC - 240 V		40	56	60	---	---	---	---	---
HKSC15XB - 240 V		40	56	60	20	25	25	81	90
ASPT33C14AB		0/0	7.1/7.1	15/15	---	---	---	---	---
HKSX03XC - 208 V	No Breaker	10.8	20.7	25	---	---	---	---	---

See Notes on Page 11.

HEAT KIT DATA (CONT.)

MODEL		CIRCUIT 1			CIRCUIT 2			SINGLE-POINT KIT	
		HEATER AMPS	MCA ¹	MOP ²	HEATER AMPS	MCA ¹	MOP ²	MCA ¹	MOP ²
HKSX05XC - 208 V	No Breaker	17.3	28.8	30	---	---	---	---	---
HKSX06XC - 208 V		21.7	34.2	35	---	---	---	---	---
HKSX08XC - 208 V		28.9	43.2	45	---	---	---	---	---
HKSX10XC - 208 V		34.7	50.5	60	---	---	---	---	---
HKSC05XC - 208 V	Breaker	17.3	28.8	30	---	---	---	---	---
HKSC08XC - 208 V		28.9	43.2	45	---	---	---	---	---
HKSC10XC - 208 V		34.7	50.5	60	---	---	---	---	---
HKSC15XB - 208 V		34.7	50.5	60	17.3	21.7	25	72.1	80
HKSX03XC - 240 V	No Breaker	12.5	23	25	---	---	---	---	---
HKSX05XC - 240 V		20	32	35	---	---	---	---	---
HKSX06XC - 240 V		25	38	40	---	---	---	---	---
HKSX08XC - 240 V		33.3	49	50	---	---	---	---	---
HKSX10XC - 240 V	40	57	60	---	---	---	---	---	
HKSC05XC - 240 V	Breaker	20	32	35	---	---	---	---	---
HKSC08XC - 240 V		33.3	49	50	---	---	---	---	---
HKSC10XC - 240 V		40	57	60	---	---	---	---	---
HKSC15XB - 240 V		40	57	60	20	25	25	82	90
ASPT37B14AA		0/0	5.6/5.6	15/15	---	---	---	---	---
HKSX03XC - 208 V	No Breaker	10.8	19	20	---	---	---	---	---
HKSX05XC - 208 V		17.3	27	30	---	---	---	---	---
HKSX06XC - 208 V		21.7	33	35	---	---	---	---	---
HKSX08XC - 208 V		28.9	42	45	---	---	---	---	---
HKSX10XC - 208 V		34.7	49	50	---	---	---	---	---
HKSC05XC - 208 V	Breaker	17.3	27	30	---	---	---	---	---
HKSC08XC - 208 V		28.9	42	45	---	---	---	---	---
HKSC10XC - 208 V		34.7	49	50	---	---	---	---	---
HKSC15XA - 208 V		34.7	49	50	17.3	22	25	71	80
HKSX03XC - 240 V	No Breaker	12.5	21	25	---	---	---	---	---
HKSX05XC - 240 V		20	31	35	---	---	---	---	---
HKSX06XC - 240 V		25	37	40	---	---	---	---	---
HKSX08XC - 240 V		33.3	47	50	---	---	---	---	---
HKSX10XC - 240 V		40	56	60	---	---	---	---	---
HKSC05XC - 240 V	Breaker	20	31	35	---	---	---	---	---
HKSC08XC - 240 V		33.3	47	50	---	---	---	---	---
HKSC10XC - 240 V		40	56	60	---	---	---	---	---
HKSC15XB - 240 V		40	56	60	20	25	25	81	90
ASPT37C14AB		0/0	5.6/5.6	15/15	---	---	---	---	---
HKSX03XC - 208 V	No Breaker	10.8	19	20	---	---	---	---	---
HKSX05XC - 208 V		17.3	27	30	---	---	---	---	---
HKSX06XC - 208 V		21.7	33	35	---	---	---	---	---
HKSX08XC - 208 V		28.9	42	45	---	---	---	---	---
HKSX10XC - 208 V		34.7	49	50	---	---	---	---	---
HKSC05XC - 208 V	Breaker	17.3	27	30	---	---	---	---	---
HKSC08XC - 208 V		28.9	42	45	---	---	---	---	---
HKSC10XC - 208 V		34.7	49	50	---	---	---	---	---
HKSC15XA - 208 V		34.7	49	50	17.3	22	25	71	80
HKSC19CA - 208 V		34.7	49	50	34.7	43	45	92	100
HKSC15XF - 208 V ^		0	5.6	15	30	38	40	---	---
HKSX03XC - 240 V	No Breaker	12.5	21	25	---	---	---	---	---
HKSX05XC - 240 V		20	31	35	---	---	---	---	---
HKSX06XC - 240 V		25	37	40	---	---	---	---	---
HKSX08XC - 240 V		33.3	47	50	---	---	---	---	---
HKSX10XC - 240 V		40	56	60	---	---	---	---	---
HKSC05XC - 240 V	Breaker	20	31	35	---	---	---	---	---
HKSC08XC - 240 V		33.3	47	50	---	---	---	---	---
HKSC10XC - 240 V		40	56	60	---	---	---	---	---
HKSC15XB - 240 V		40	56	60	20	25	25	81	90
HKSC19CB - 240 V		40	56	60	40	50	50	106	110
HKSC15XF - 240 V ^		0	5.6	15	34.6	43	45	---	---

See Notes on Page 11.

MODEL		CIRCUIT 1			CIRCUIT 2			SINGLE-POINT KIT	
		HEATER AMPS	MCA ¹	MOP ²	HEATER AMPS	MCA ¹	MOP ²	MCA ¹	MOP ²
ASPT39C14AB		0.0/0.0	7.1/7.1	15/15	---	---	---	---	---
HKSX03XC - 208 V	No Breaker	---	---	---	---	---	---	---	---
HKSX05XC - 208 V		17.3	28.8	30	---	---	---	---	---
HKSX06XC - 208 V		21.7	34.2	35	---	---	---	---	---
HKSX08XC - 208 V		28.9	43.2	45	---	---	---	---	---
HKSX10XC - 208 V		34.7	50.5	60	---	---	---	---	---
HKSC05XC - 208 V	Breaker	17.3	28.8	30	---	---	---	---	---
HKSC08XC - 208 V		28.9	43.2	45	---	---	---	---	---
HKSC10XC - 208 V		34.7	50.5	60	---	---	---	---	---
HKSC15XB - 208 V		34.7	50.5	60	17.3	21.7	25	72.1	80
HKSC19CH - 208 V		34.7	50.5	60	34.7	43.3	45	93.8	100
HKSC15XF - 208 V ^		0	7.1	15	30	37.5	40	---	---
HKSX03XC - 240 V	No Breaker	---	---	---	---	---	---	---	---
HKSX05XC - 240 V		20	32	35	---	---	---	---	---
HKSX06XC - 240 V		25	38	40	---	---	---	---	---
HKSX08XC - 240 V		33.3	49	50	---	---	---	---	---
HKSX10XC - 240 V		40	57	60	---	---	---	---	---
HKSC05XC - 240 V	Breaker	20	32	35	---	---	---	---	---
HKSC08XC - 240 V		33.3	49	50	---	---	---	---	---
HKSC10XC - 240 V		40	57	60	---	---	---	---	---
HKSC15XB - 240 V		40	57	60	20	25	25	82	90
HKSC19CB - 240 V		40	57	60	40	50	50	107	110
HKSC15XF - 240 V ^		0	7.1	15	34.6	43	45	---	---
ASPT47C14AB		0/0	5.6/5.6	15/15	---	---	---	---	---
HKSX03XC - 208 V	No Breaker	10.8	19	20	---	---	---	---	---
HKSX05XC - 208 V		17.3	27	30	---	---	---	---	---
HKSX06XC - 208 V		21.7	33	35	---	---	---	---	---
HKSX08XC - 208 V		28.9	42	45	---	---	---	---	---
HKSX10XC - 208 V		34.7	49	50	---	---	---	---	---
HKSC05XC - 208 V	Breaker	17.3	27	30	---	---	---	---	---
HKSC08XC - 208 V		28.9	42	45	---	---	---	---	---
HKSC10XC - 208 V		34.7	49	50	---	---	---	---	---
HKSC15XA - 208 V		34.7	49	50	17.3	22	25	71	80
HKSC19CA - 208 V		34.7	49	50	34.7	43	45	92	100
HKSC15XF - 208 V ^		0	5.6	15	30	38	40	---	---
HKSX03XC - 240 V	No Breaker	12.5	21	25	---	---	---	---	---
HKSX05XC - 240 V		20	31	35	---	---	---	---	---
HKSX06XC - 240 V		25	37	40	---	---	---	---	---
HKSX08XC - 240 V		33.3	47	50	---	---	---	---	---
HKSX10XC - 240 V		40	56	60	---	---	---	---	---
HKSC05XC - 240 V	Breaker	20	31	35	---	---	---	---	---
HKSC08XC - 240 V		33.3	47	50	---	---	---	---	---
HKSC10XC - 240 V		40	56	60	---	---	---	---	---
HKSC15XB - 240 V		40	56	60	20	25	25	81	90
HKSC19CB - 240 V		40	56	60	40	50	50	106	110
HKSC15XF - 240 V ^		0	5.6	15	34.6	43	45	---	---
ASPT47D14AB		0/0	5.6/5.6	15/15	---	---	---	---	---
HKSX03XC - 208 V	No Breaker	10.8	19	20	---	---	---	---	---
HKSX05XC - 208 V		17.3	27	30	---	---	---	---	---
HKSX06XC - 208 V		21.7	33	35	---	---	---	---	---
HKSX08XC - 208 V		28.9	42	45	---	---	---	---	---
HKSX10XC - 208 V		34.7	49	50	---	---	---	---	---
HKSC05XC - 208 V	Breaker	17.3	27	30	---	---	---	---	---
HKSC08XC - 208 V		28.9	42	45	---	---	---	---	---
HKSC10XC - 208 V		34.7	49	50	---	---	---	---	---
HKSC15XA - 208 V		34.7	49	50	17.3	22	25	71	80
HKSC20DA - 208 V		34.7	49	50	34.7	43	45	92	100
HKSC15XF - 208 V ^		0	5.6	15	30	38	40	---	---
HKSC20XF - 208 V ^	0	5.6	15	37.5	47	50	---	---	

See Notes on Page 11.

HEAT KIT DATA (CONT.)

MODEL		CIRCUIT 1			CIRCUIT 2			SINGLE-POINT KIT	
		HEATER AMPS	MCA ¹	MOP ²	HEATER AMPS	MCA ¹	MOP ²	MCA ¹	MOP ²
HKSX03XC - 240 V	No Breaker	12.5	21	25	---	---	---	---	---
HKSX05XC - 240 V		20	31	35	---	---	---	---	---
HKSX06XC - 240 V		25	37	40	---	---	---	---	---
HKSX08XC - 240 V		33.3	47	50	---	---	---	---	---
HKSX10XC - 240 V		40	56	60	---	---	---	---	---
HKSC05XC - 240 V	Breaker	20	31	35	---	---	---	---	---
HKSC08XC - 240 V		33.3	47	50	---	---	---	---	---
HKSC10XC - 240 V		40	56	60	---	---	---	---	---
HKSC15XB - 240 V		40	56	60	20	25	25	81	90
HKSC20DB - 240 V		40	56	60	40	50	50	106	110
HKSC15XF - 240 V ^		0	5.6	15	34.6	43	45	---	---
HKSC20XF - 240 V ^		0	5.6	15	43.3	54	60	---	---
ASPT49C14AB		0.0/0.0	7.1/7.1	15/15	---	---	---	---	---
HKSX03XC - 208 V	No Breaker	---	---	---	---	---	---	---	---
HKSX05XC - 208 V		17.3	28.8	30	---	---	---	---	---
HKSX06XC - 208 V		21.7	34.2	35	---	---	---	---	---
HKSX08XC - 208 V		28.9	43.2	45	---	---	---	---	---
HKSX10XC - 208 V		34.7	50.5	60	---	---	---	---	---
HKSC05XC - 208 V	Breaker	17.3	28.8	30	---	---	---	---	---
HKSC08XC - 208 V		28.9	43.2	45	---	---	---	---	---
HKSC10XC - 208 V		34.7	50.5	60	---	---	---	---	---
HKSC15XA - 208 V		34.7	50.5	60	17.3	21.7	25	72.1	80
HKSC19CA - 208 V		34.7	50.5	60	34.7	43.3	45	93.8	100
HKSC15XF - 208 V ^		0	7.1	15	30	37.5	40	---	---
HKSX03XC - 240 V		No Breaker	---	---	---	---	---	---	---
HKSX05XC - 240 V	20		32	35	---	---	---	---	---
HKSX06XC - 240 V	25		38	40	---	---	---	---	---
HKSX08XC - 240 V	33.3		49	50	---	---	---	---	---
HKSX10XC - 240 V	40		57	60	---	---	---	---	---
HKSC05XC - 240 V	Breaker	20	32	35	---	---	---	---	---
HKSC08XC - 240 V		33.3	49	50	---	---	---	---	---
HKSC10XC - 240 V		40	57	60	---	---	---	---	---
HKSC15XB - 240 V		40	57	60	20	25	25	82	90
HKSC19CB - 240 V		40	57	60	40	50	50	107	110
HKSC15XF - 240 V ^		0	7.1	15	34.6	43	45	---	---
ASPT49D14AB			0/0	8.6/8.6	15/15	---	---	---	---
HKSX03XC - 208 V	No Breaker	10.8	22	25	---	---	---	---	---
HKSX05XC - 208 V		17.3	30.3	35	---	---	---	---	---
HKSX06XC - 208 V		21.7	36	40	---	---	---	---	---
HKSX08XC - 208 V		28.9	45	45	---	---	---	---	---
HKSX10XC - 208 V		34.7	52	60	---	---	---	---	---
HKSC05XC - 208 V	Breaker	17.3	30.3	35	---	---	---	---	---
HKSC08XC - 208 V		28.9	45	45	---	---	---	---	---
HKSC10XC - 208 V		34.7	52	60	---	---	---	---	---
HKSC15XB - 208 V		34.7	52	60	17.3	22	25	74	80
HKSC20DH - 208 V		34.7	52	60	34.7	43	45	95	100
HKSC15XF - 208 V ^		0	8.6	15	30	38	40	---	---
HKSC20XF - 208 V ^		0	8.6	15	37.5	47	50	---	---
HKSC25DA - 208 V	52	74	80	35	43	45	117	125	
HKSX03XC - 240 V	No Breaker	12.5	24	25	---	---	---	---	---
HKSX05XC - 240 V		20	34	35	---	---	---	---	---
HKSX06XC - 240 V		25	40	40	---	---	---	---	---
HKSX08XC - 240 V		33.3	50.3	60	---	---	---	---	---
HKSX10XC - 240 V		40	59	60	---	---	---	---	---
HKSC05XC - 240 V	Breaker	20	34	35	---	---	---	---	---
HKSC08XC - 240 V		33.3	50.3	60	---	---	---	---	---
HKSC10XC - 240 V		40	59	60	---	---	---	---	---
HKSC15XB - 240 V		40	59	60	20	25	25	84	90
HKSC20DB - 240 V		40	59	60	40	50	50	109	110

See Notes on Page 11.

MODEL		CIRCUIT 1			CIRCUIT 2			SINGLE-POINT KIT	
		HEATER AMPS	MCA ¹	MOP ²	HEATER AMPS	MCA ¹	MOP ²	MCA ¹	MOP ²
HKSC15XF - 240 V ^	Breaker	0	8.6	15	34.6	43	45	---	---
HKSC20XF - 240 V ^		0	8.6	15	43.3	54	60	---	---
HKSC25DB - 240 V		60	84	90	40	50	50	134	150
ASPT59C14AB		0.0/0.0	7.9/7.9	15/15	---	---	---	---	---
HKSX03XC - 208 V	No Breaker	10.8	21	25	---	---	---	---	---
HKSX05XC - 208 V		17.3	30	30	---	---	---	---	---
HKSX06XC - 208 V		21.7	35	35	---	---	---	---	---
HKSX08XC - 208 V		28.9	44	45	---	---	---	---	---
HKSX10XC - 208 V		34.7	51	60	---	---	---	---	---
HKSC05XC - 208 V	Breaker	17.3	30	30	---	---	---	---	---
HKSC08XC - 208 V		28.9	44	45	---	---	---	---	---
HKSC10XC - 208 V		34.7	51	60	---	---	---	---	---
HKSC15XB - 208 V		34.7	51	60	17.3	22	25	73	80
HKSC19CH - 208 V		34.7	51	60	34.7	43	45	95	100
HKSC15XF - 208 V ^		0	7.9	15	30	38	40	---	---
HKSX03XC - 240 V	No Breaker	12.5	24	25	---	---	---	---	---
HKSX05XC - 240 V		20	33	35	---	---	---	---	---
HKSX06XC - 240 V		25	39	40	---	---	---	---	---
HKSX08XC - 240 V		33.3	50	50	---	---	---	---	---
HKSX10XC - 240 V		40	58	60	---	---	---	---	---
HKSC05XC - 240 V	Breaker	20	33	35	---	---	---	---	---
HKSC08XC - 240 V		33.3	50	50	---	---	---	---	---
HKSC10XC - 240 V		40	58	60	---	---	---	---	---
HKSC15XB - 240 V		40	58	60	20	25	25	83	90
HKSC19CB - 240 V		40	58	60	40	50	50	108	110
HKSC15XF - 240 V ^		0.0	7.9	15	34.6	43	45	---	---
ASPT61D14AB		0/0	8.6/8.6	15/15	---	---	---	---	---
HKSX03XC - 208 V	No Breaker	10.8	22	25	---	---	---	---	---
HKSX05XC - 208 V		17.3	30.3	35	---	---	---	---	---
HKSX06XC - 208 V		21.7	36	40	---	---	---	---	---
HKSX08XC - 208 V		28.9	45	45	---	---	---	---	---
HKSX10XC - 208 V		34.7	52	60	---	---	---	---	---
HKSC05XC - 208 V	Breaker	17.3	30.3	35	---	---	---	---	---
HKSC08XC - 208 V		28.9	45	45	---	---	---	---	---
HKSC10XC - 208 V		34.7	52	60	---	---	---	---	---
HKSC15XB - 208 V		34.7	52	60	17.3	22	25	74	80
HKSC20DH - 208 V		34.7	52	60	34.7	43	45	95	100
HKSC15XF - 208 V ^		0	8.6	15	30	38	40	---	---
HKSC20XF - 208 V ^	0	8.6	15	37.5	47	50	---	---	
HKSC25DA - 208 V	52	74	80	35	43	45	117	125	
HKSX03XC - 240 V	No Breaker	12.5	24	25	---	---	---	---	---
HKSX05XC - 240 V		20	34	35	---	---	---	---	---
HKSX06XC - 240 V		25	40	40	---	---	---	---	---
HKSX08XC - 240 V		33.3	50.3	60	---	---	---	---	---
HKSX10XC - 240 V		40	59	60	---	---	---	---	---
HKSC05XC - 240 V	Breaker	20	34	35	---	---	---	---	---
HKSC08XC - 240 V		33.3	50.3	60	---	---	---	---	---
HKSC10XC - 240 V		40	59	60	---	---	---	---	---
HKSC15XB - 240 V		40	59	60	20	25	25	84	90
HKSC20DB - 240 V		40	59	60	40	50	50	109	110
HKSC15XF - 240 V ^		0	8.6	15	34.6	43	45	---	---
HKSC20XF - 240 V ^		0	8.6	15	43.3	54	60	---	---
HKSC25DB - 240 V		60	84	90	40	50	50	134	150

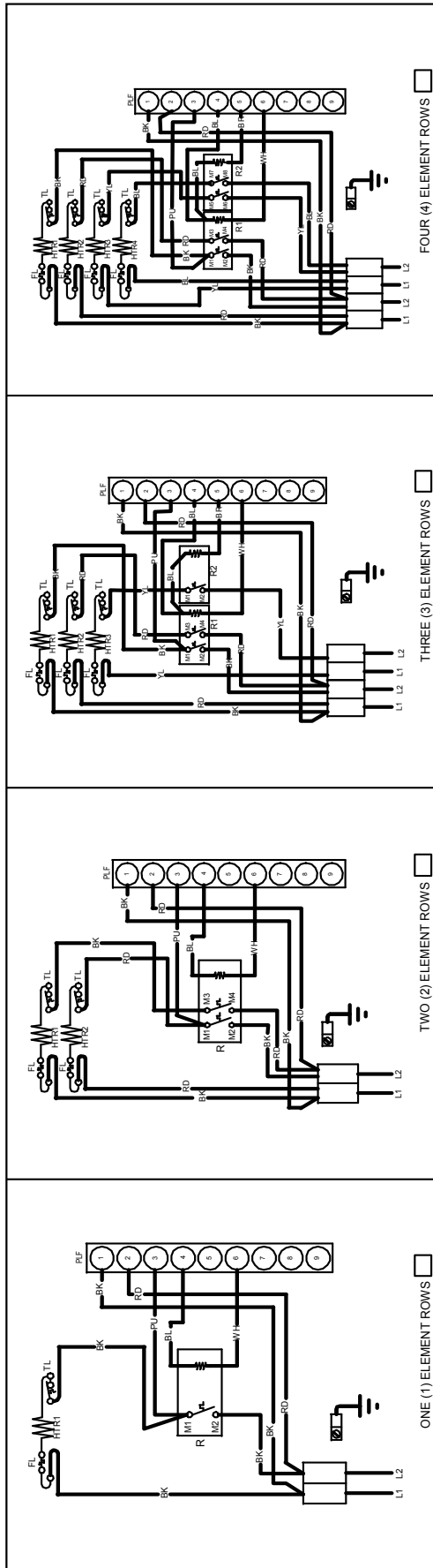
¹Minimum Circuit Ampacity (Heater Amps + Motor Amps) X 1.25

²Maximum Overcurrent Protection = 2.25 X Motor Amps + Heater Amps

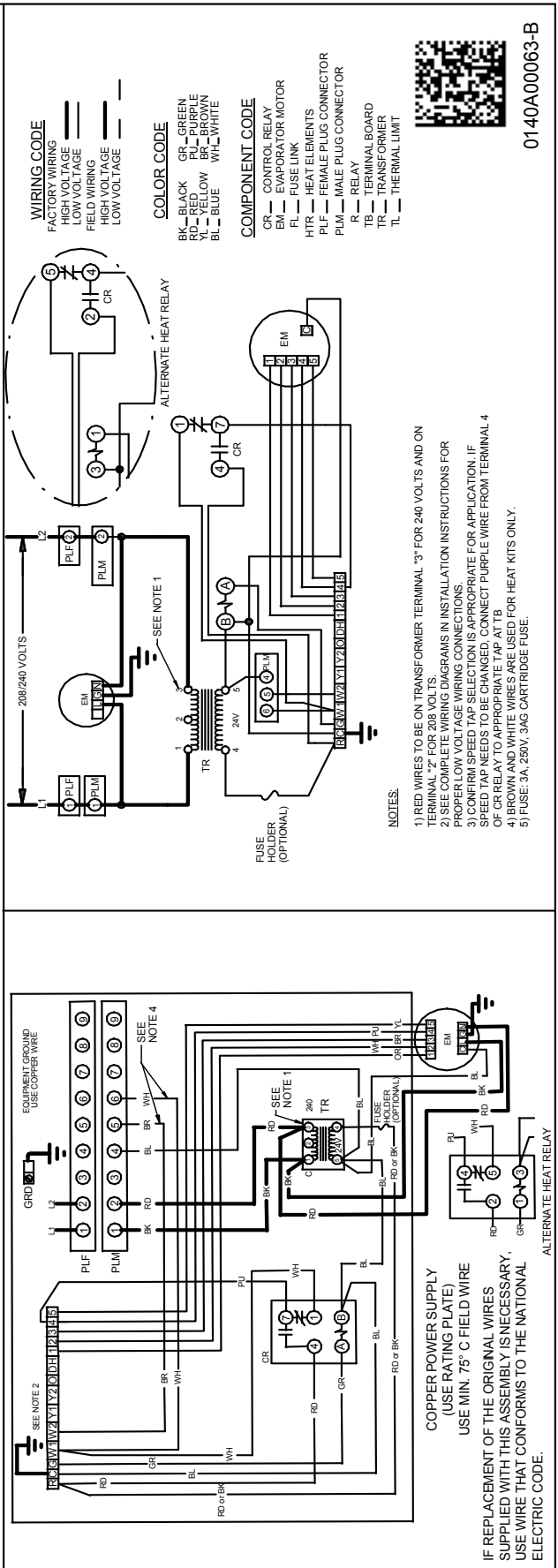
^Circuit 1: Single-phase for Air Handlers Circuit 2: Three-phase for HKR3 Heater Kits

---indicates Not Required

Note: The 208 or 240 in the heat kit part number field is for clarification of the nominal voltage for this model.



NOTE: WHEN INSTALLING HEATER KIT, ENSURE SPEED TAP DOES NOT EXCEED MINIMUM BLOWER SPEED (MBS) SPECIFIED FOR THE AIRHANDLER/HEATER KIT COMBINATION ON THIS UNIT'S S&R PLATE. AFTER INSTALLING OPTIONAL HEAT KIT, MARK A "X" IN THE BOX PROVIDED ABOVE. MARK ACCORDING TO NUMBER OF HEATER ELEMENT ROWS INSTALLED. NO MARK INDICATES NO HEAT KIT INSTALLED.



- WIRING CODE**
 FACTORY WIRING
 HIGH VOLTAGE
 LOW VOLTAGE
 FIELD WIRING
 HIGH VOLTAGE
 LOW VOLTAGE
- COLOR CODE**
 BK - BLACK
 GR - GREEN
 RD - RED
 PL - PURPLE
 BL - BLUE
 WH - WHITE
- COMPONENT CODE**
 CR - CONTROL RELAY
 EM - EVAPORATOR MOTOR
 FL - FUSE LINK
 HTR - HEAT ELEMENTS
 PLF - FEMALE PLUG CONNECTOR
 PLM - MALE PLUG CONNECTOR
 R - RELAY
 TB - TERMINAL BOARD
 TR - TRANSFORMER
 TL - THERMAL LIMIT

- NOTES:**
- 1) RED WIRES TO BE ON TRANSFORMER TERMINAL "3" FOR 240 VOLTS AND ON TERMINAL "2" FOR 208 VOLTS.
 - 2) SEE COMPLETE WIRING DIAGRAMS IN INSTALLATION INSTRUCTIONS FOR PROPER SPEED TAP CONNECTIONS.
 - 3) PROPER SPEED TAP SELECTION IS APPROPRIATE FOR APPLICATION. IF SPEED TAP NEEDS TO BE CHANGED, CONNECT PURPLE WIRE FROM TERMINAL 4 OF CR RELAY TO APPROPRIATE TAP AT TB.
 - 4) BROWN AND WHITE WIRES ARE USED FOR HEAT KITS ONLY.
 - 5) FUSE: 3A, 250V, 3AG CARTRIDGE FUSE.



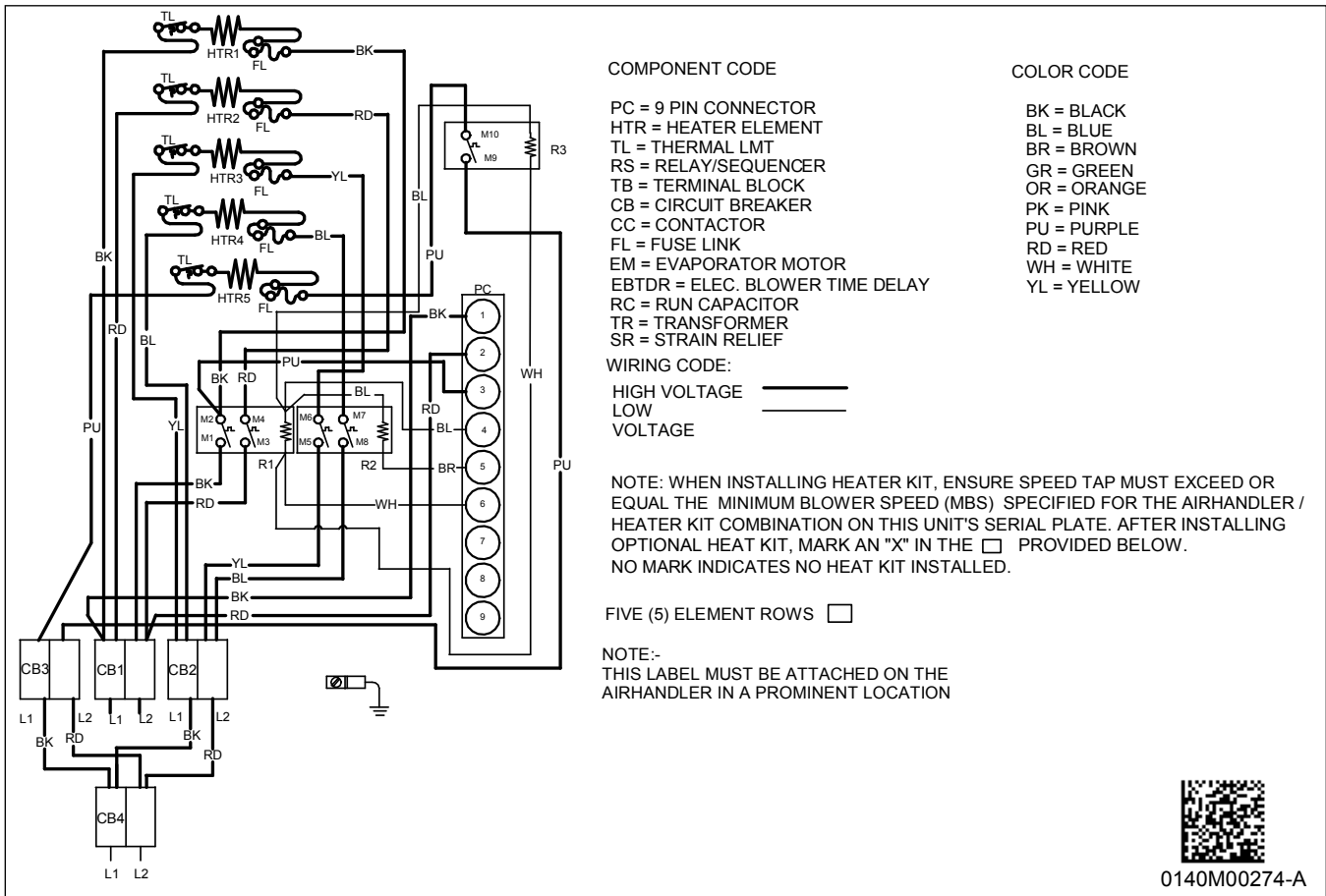
0140A00063-B

WARNING

High Voltage: Disconnect all power before servicing or installing this unit. Multiple power sources may be present. Failure to do so may cause property damage, personal injury, or death.

Wiring is subject to change. Always refer to the wiring diagram on the unit for the most up-to-date wiring.

NOTE: The five element, 25 kW heater kit is not SHOWN ABOVE.

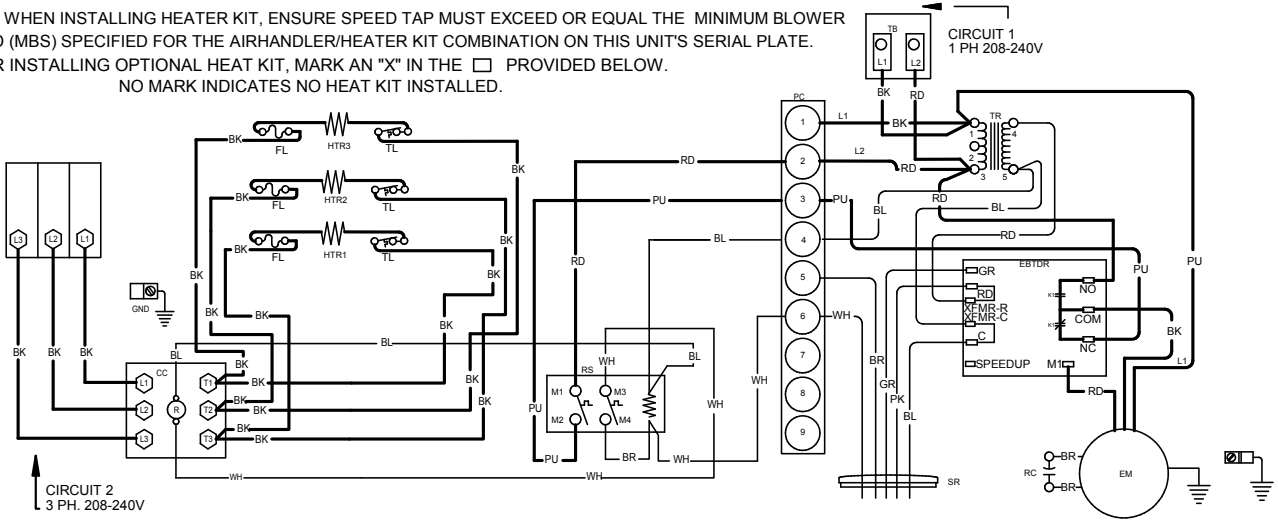


Wiring is subject to change. Always refer to the wiring diagram on the unit for the most up-to-date wiring.

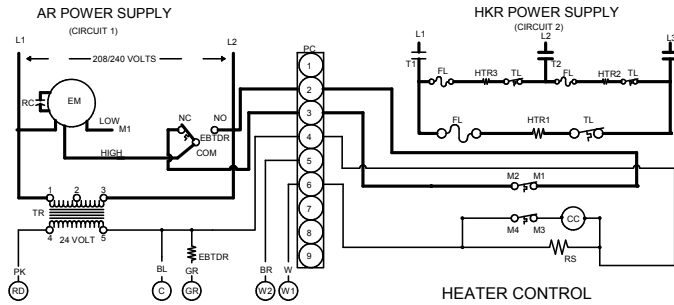
	WARNING	<p>High Voltage: Disconnect all power before servicing or installing this unit. Multiple power sources may be present. Failure to do so may cause property damage, personal injury, or death.</p>	
--	----------------	--	--

THREE-PHASE HEATER KIT WIRING DIAGRAM

NOTE: WHEN INSTALLING HEATER KIT, ENSURE SPEED TAP MUST EXCEED OR EQUAL THE MINIMUM BLOWER SPEED (MBS) SPECIFIED FOR THE AIRHANDLER/HEATER KIT COMBINATION ON THIS UNIT'S SERIAL PLATE. AFTER INSTALLING OPTIONAL HEAT KIT, MARK AN "X" IN THE PROVIDED BELOW. NO MARK INDICATES NO HEAT KIT INSTALLED.



NOTE:- THIS LABEL MUST BE ATTACHED ON THE AIRHANDLER IN A PROMINENT LOCATION



COMPONENT CODE

- HTR — HEAT ELEMENT
- EM — EVAPORATOR MOTOR
- EBTDR — ELEC. BLOWER TIME DELAY RELAY
- RS — RELAY/SEQUENCER
- RC — RUN CAPACITOR
- TL — THERMAL LIMIT
- TR — TRANSFORMER
- TB — TERMINAL BLOCK
- CC — CONTACTOR
- PC — 9-PIN CONNECTOR
- SR — STRAIN RELIEF
- FL — FUSE LINK
- CB — CIRCUIT BREAKER

COLOR CODE

- BK — BLACK
- BL — BLUE
- BR — BROWN
- GR — GREEN
- OR — ORANGE
- PK — PINK
- PU — PURPLE
- RD — RED
- WH — WHITE
- YL — YELLOW

WIRING CODE

- HIGH VOLTAGE ————
- LOW VOLTAGE ————



Wiring is subject to change. Always refer to the wiring diagram on the unit for the most up-to-date wiring.

<b style="font-size: 1.2em;">WARNING	<p>High Voltage: Disconnect all power before servicing or installing this unit. Multiple power sources may be present. Failure to do so may cause property damage, personal injury, or death. </p>
--	---

DOWNFLOW INSULATION KIT

DFK-B	DFK-C	DFK-D
ASPT24B14**	ASPT30C14**	ASPT42D14**
ASPT35B14**	ASPT36C14**	ASPT48D14**
	ASPT42C14**	ASPT60D14**
	ASPT48C14**	ASPT61D14**

FILTERS

CHASSIS	PART #	SIZE
B	ALFH16201E	16.0" x 20.0"
C	ALFH1912201E	19.5" x 20.0"
D	ALFH20231E	23.0" x 20.0"

