

WALL-MOUNT AIR HANDLER

1½ TO 3 TONS



Contents

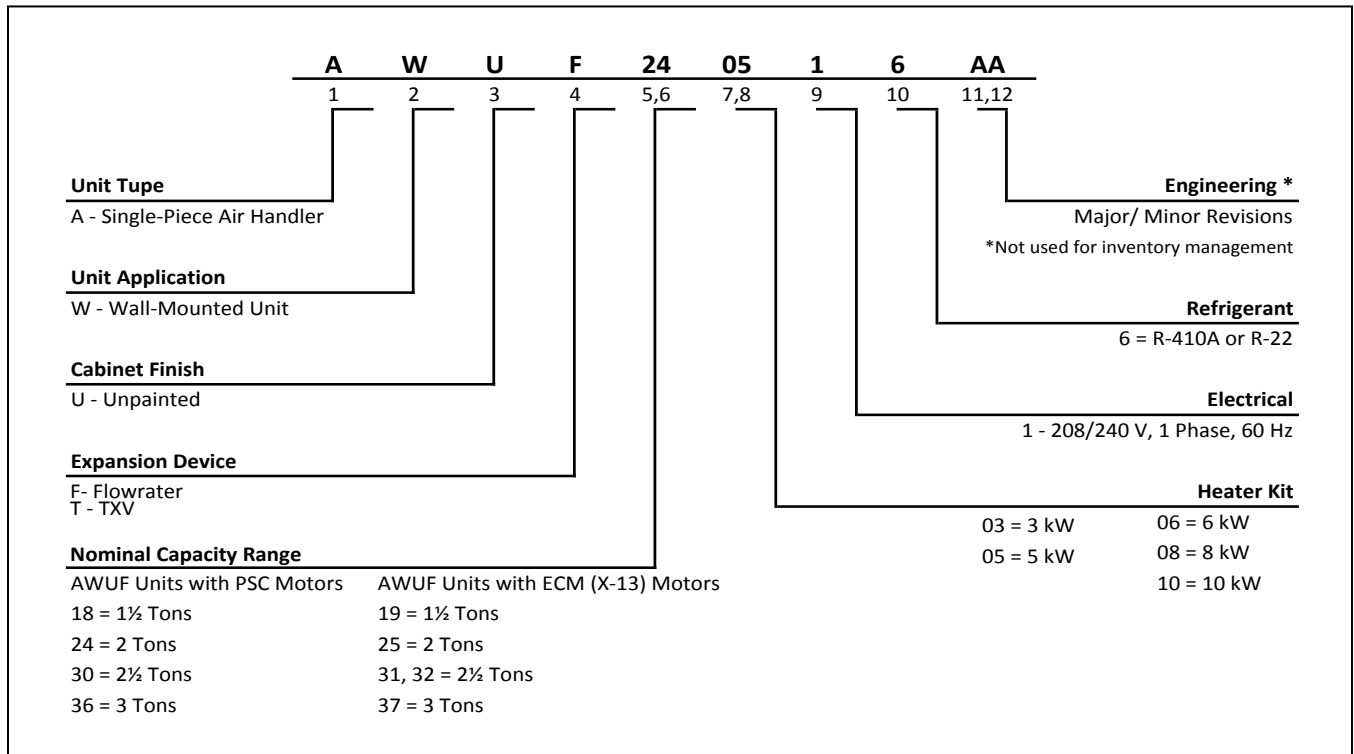
Nomenclature	2
Accessories	2
Product Specifications	3
Dimensions	7
Airflow Data	9
Wiring Diagram	10

Product Features

- AWUF Models: Equipped with a Check Flowrator
AWUT Models: Equipped with a fully adjustable TXV
- Direct-drive, multi-speed motors allows air volume variation for heating/cooling
 - Multi-speed ECM: AWUF19, 25, 31, 32, 37, AWUT31, 32, 37
 - Multi-speed PSC motor: AWUF18, 24, 30, 36
- Sequence-controlled, rust-resistant nickel chromium heating elements of 3, 5, 8, and 10 kW
- Aluminum tubing coils on all models
- Cabinet air leakage less than 2.0% at 1.0 inch H₂O when tested in accordance with ASHRAE standard 193
- Cabinet air leakage less than 1.4% at 0.5 inch H₂O when tested in accordance with ASHRAE standard 193
- Factory-installed pull-type disconnect
- Thermoplastic drain pan with bottom primary and secondary drain connections
- Built-in filter rack (filter included)
- Large chassis (2½- and 3-ton units) – front return only
- Small chassis (1½- and 2-ton units) – front or bottom return
- Wall-hanging bracket provided
- AHRI Certified; ETL Listed



* Complete warranty details available from your local dealer or at www.daikincomfort.com. To receive the 12-Year Parts Limited Warranty, online registration must be completed within 60 days of installation. Online registration is not required in California or Quebec.



ACCESSORIES

MODEL	ITEM #	DESCRIPTION
AWUF18 - AWUF19	Wad-1	Wall access door
AWUF24 - AWUF25	Wad-1	Wall access door
AWUF30 - AWUF37 AWUT31, 32, 37	Wad-2	Wall access door

	AWUF 180316B	AWUF 180516B	AWUF 180816B	AWUF 190316A	AWUF 190516A	AWUF 190816A	AWUF 240316B	AWUF 240516B	AWUF 240816B	AWUF 241016B
NOMINAL RATINGS										
Cooling (BTU/h)	18,000	18,000	18,000	18,000	18,000	18,000	24,000	24,000	24,000	24,000
Electric Heat (kW)	3	5	8	3	5	8	3	5	8	10
BLOWER										
Diameter	9	9	9	10	10	10	10	10	10	10
Width	6	6	6	6	6	6	6	6	6	6
COIL CONNECTIONS										
Liquid	3/8"	3/8"	3/8"	3/8"	3/8"	3/8"	3/8"	3/8"	3/8"	3/8"
Suction	5/8"	5/8"	5/8"	5/8"	5/8"	5/8"	5/8"	5/8"	5/8"	5/8"
Coil Drain Connection (FPT)	3/4"	3/4"	3/4"	3/4"	3/4"	3/4"	3/4"	3/4"	3/4"	3/4"
ELECTRICAL DATA										
Voltage	230/208	230/208	230/208	230/208	230/208	230/208	230/208	230/208	230/208	230/208
Minimum Circuit Ampacity (230V)	17.3	26.6	39.6	18.9	28.3	41.3	17.3	26.6	39.6	52.7
Minimum Circuit Ampacity (208V)	15.1	23.3	34.6	16.8	24.9	36.2	15.1	23.3	34.6	45.9
Max. Overcurrent Device (240V)	20	30	40	20	30	45	20	30	40	60
Max. Overcurrent Device (208V)	20	25	35	20	25	40	20	25	35	50
Minimum VAC	197	197	197	197	197	197	197	197	197	197
Maximum VAC	253	253	253	253	253	253	253	253	253	253
BLOWER MOTOR										
Full Load Amps (FLA)	1.3	1.3	1.3	2.6	2.6	2.6	1.3	1.3	1.3	1.3
Horsepower (HP)	1/5	1/5	1/5	1/3	1/3	1/3	1/5	1/5	1/5	1/5
SHIP WEIGHT (LBS)										
	84	84	84	84	84	84	84	84	84	84

PRODUCT SPECIFICATIONS

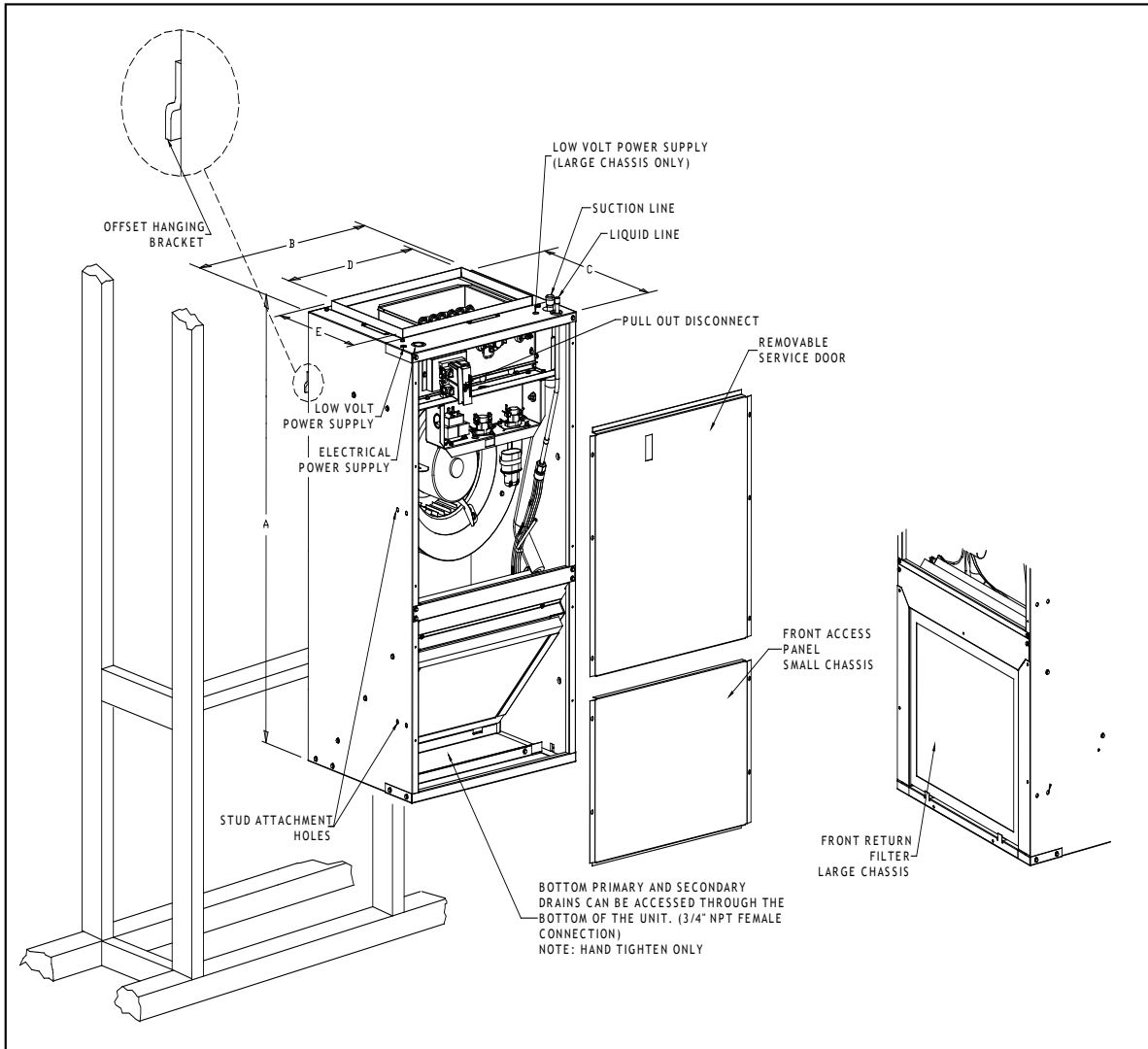
	AWUF 250316B	AWUF 250516B	AWUF 250816B	AWUF 251016B	AWUF 300316B	AWUF 300516B	AWUF 300816B	AWUF 301016B	AWUF 310516A*	AWUF 310816A*
NOMINAL RATINGS										
Cooling (BTU/h)	24,000	24,000	24,000	24,000	30,000	30,000	30,000	30,000	30,000	30,000
Electric Heat (kW)	3	5	8	10	3	5	8	10	5	8
BLOWER										
Diameter	10	10	10	10	9	9	9	9	10	10
Width	6	6	6	6	8	8	8	8	8	8
COIL CONNECTIONS										
Liquid	3/8"	3/8"	3/8"	3/8"	3/8"	3/8"	3/8"	3/8"	3/8"	3/8"
Suction	5/8"	5/8"	5/8"	5/8"	3/4"	3/4"	3/4"	3/4"	3/4"	3/4"
Coil Drain Connection (FPT)	3/4"	3/4"	3/4"	3/4"	3/4"	3/4"	3/4"	3/4"	3/4"	3/4"
ELECTRICAL DATA										
Voltage	230/208	230/208	230/208	230/208	230/208	230/208	230/208	230/208	230/208	230/208
Minimum Circuit Ampacity (230V)	18.9	28.3	41.3	54.3	17.6	27.0	40.0	53.0	30.1	43.1
Minimum Circuit Ampacity (208V)	16.8	24.9	36.2	47.5	15.5	23.6	34.9	46.2	26.8	38.1
Max. Overcurrent Device (240V)	20	30	45	60	20	30	40	60	35	45
Max. Overcurrent Device (208V)	20	25	40	50	20	25	35	50	30	40
Minimum VAC	197	197	197	197	197	197	197	197	197	197
Maximum VAC	253	253	253	253	253	253	253	253	253	253
BLOWER MOTOR										
Full Load Amps (FLA)	2.6	2.6	2.6	2.6	1.58	1.58	1.58	1.58	4.1	4.1
Horsepower (HP)	1/3	1/3	1/3	1/3	1/3	1/3	1/3	1/3	1/2	1/2
SHIP WEIGHT (LBS)										
	84	84	84	84	93	109	109	109	109	109

	AWUF 321016A*	AWUF 360516B	AWUF 360816B	AWUF 361016B	AWUF 370516B	AWUF 370816B	AWUF 371016B
NOMINAL RATINGS							
Cooling (BTU/h)	30,000	36,000	36,000	36,000	36,000	36,000	36,000
Electric Heat (kW)	10	5	8	10	5	8	10
BLOWER							
Diameter	10	9	9	9	10	10	10
Width	8	8	8	8	8	8	8
COIL CONNECTIONS							
Liquid	3/8"	3/8"	3/8"	3/8"	3/8"	3/8"	3/8"
Suction	3/4"	3/4"	3/4"	3/4"	3/4"	3/4"	3/4"
Coil Drain Connection (FPT)	3/4"	3/4"	3/4"	3/4"	3/4"	3/4"	3/4"
ELECTRICAL DATA							
Voltage	230/208	230/208	230/208	230/208	230/208	230/208	230/208
Minimum Circuit Ampacity (230V)	56.2	27.0	40.0	53.0	30.1	43.1	56.2
Minimum Circuit Ampacity (208V)	49.4	23.6	34.9	46.2	26.8	38.1	49.4
Max. Overcurrent Device (240V)	60	30	40	60	35	45	60
Max. Overcurrent Device (208V)	50	25	35	50	30	40	50
Minimum VAC	197	197	197	197	197	197	197
Maximum VAC	253	253	253	253	253	253	253
BLOWER MOTOR							
Full Load Amps (FLA)	4.1	1.58	1.58	1.58	4.1	4.1	4.1
Horsepower (HP)	1/2	1/3	1/3	1/3	1/2	1/2	1/2
SHIP WEIGHT (LBS)							
	109	96	96	96	96	96	96

	AWUT 310516A*	AWUT 310816A*	AWUT 321016A*	AWUT 370516A*	AWUT 370816A*	AWUT 371016A*
NOMINAL RATINGS						
Cooling (BTU/h)	30,000	30,000	30,000	36,000	36,000	36,000
Electric Heat (kW)	5	8	10	5	8	10
BLOWER						
Diameter	10	10	10	10	10	10
Width	8	8	8	8	8	8
COIL CONNECTIONS						
Liquid	3/8"	3/8"	3/8"	3/8"	3/8"	3/8"
Suction	3/4"	3/4"	3/4"	3/4"	3/4"	3/4"
Coil Drain Connection (FPT)	3/4"	3/4"	3/4"	3/4"	3/4"	3/4"
ELECTRICAL DATA						
Voltage	230/208	230/208	230/208	230/208	230/208	230/208
Minimum Circuit Ampacity (230V)	30.1	43.1	56.2	30.1	43.1	56.2
Minimum Circuit Ampacity (208V)	26.8	38.1	49.4	26.8	38.1	49.4
Max. Overcurrent Device (240V)	35	45	60	35	45	60
Max. Overcurrent Device (208V)	30	40	50	30	40	50
Minimum VAC	197	197	197	197	197	197
Maximum VAC	253	253	253	253	253	253
BLOWER MOTOR						
Full Load Amps (FLA)	4.1	4.1	4.1	4.1	4.1	4.1
Horsepower (HP)	1/2	1/2	1/2	1/2	1/2	1/2
SHIP WEIGHT (LBS)						
	109	109	109	96	96	96

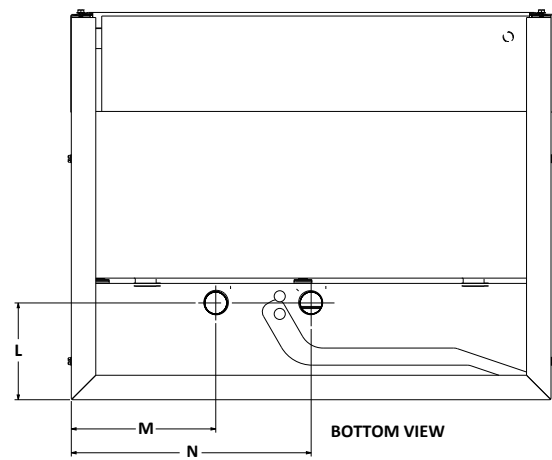
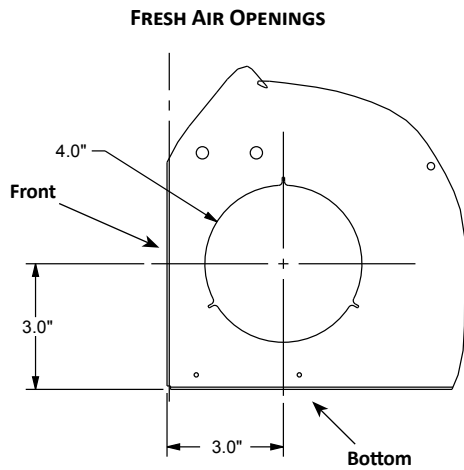
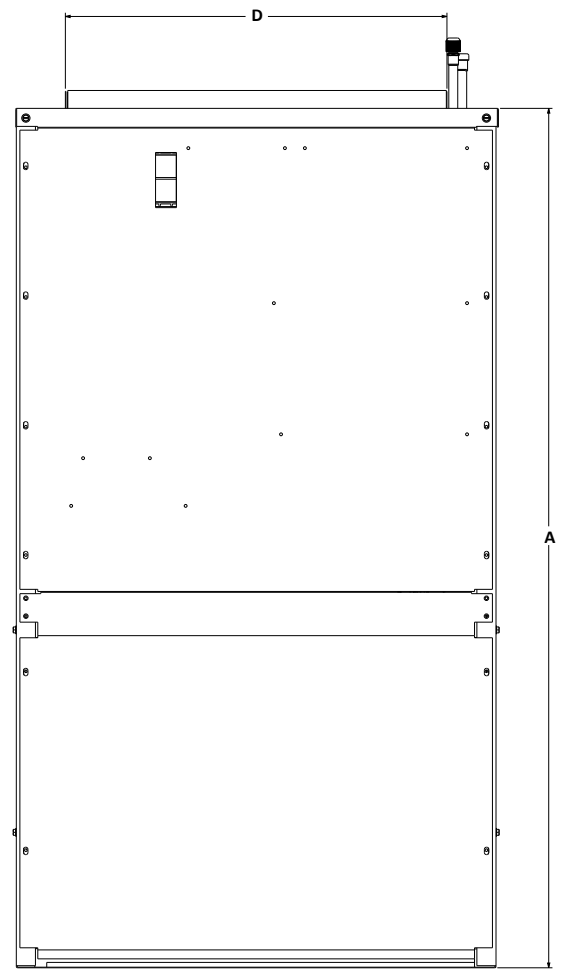
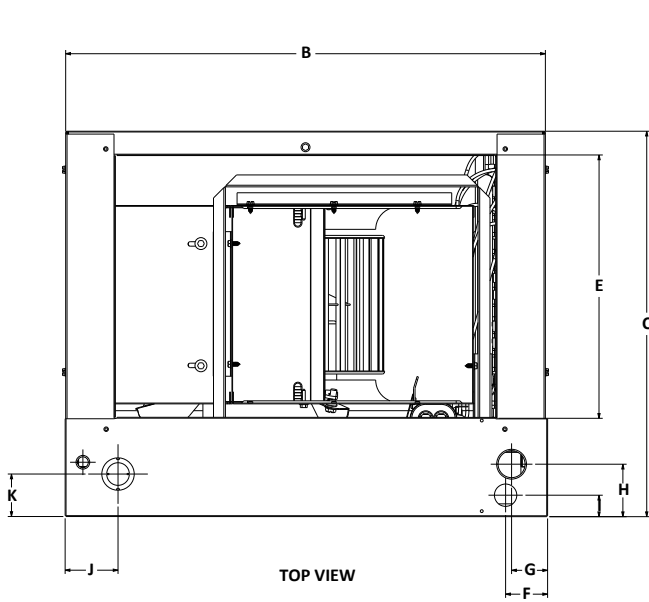
MODEL	MOTOR SPEED	CFM DELIVERED AGAINST EXTERNAL STATIC PRESSURE				
		0.1"	0.2"	0.3"	0.4"	0.5"
AWUT310516XX	T5	875	865	830	805	765
	T4	1005	975	945	920	890
	T3	840	795	785	745	700
	T2	645	615	550	500	445
	T1	645	615	550	500	445
AWUT310816XX AWUT321016XX	T5	1090	1065	1040	1015	985
	T4	1005	975	945	920	890
	T3	840	795	785	745	700
	T2	645	615	550	500	445
	T1	645	615	550	500	445
AWUT37XX16XX	T5	1315	1290	1260	1230	1200
	T4	1240	1205	1175	1145	1115
	T3	1175	1140	1105	1075	1045
	T2	1060	1020	990	955	925
	T1	1060	1025	995	960	925

Note - Once installed, top of unit must be level or slightly tilted back to ensure proper condensate drainage.



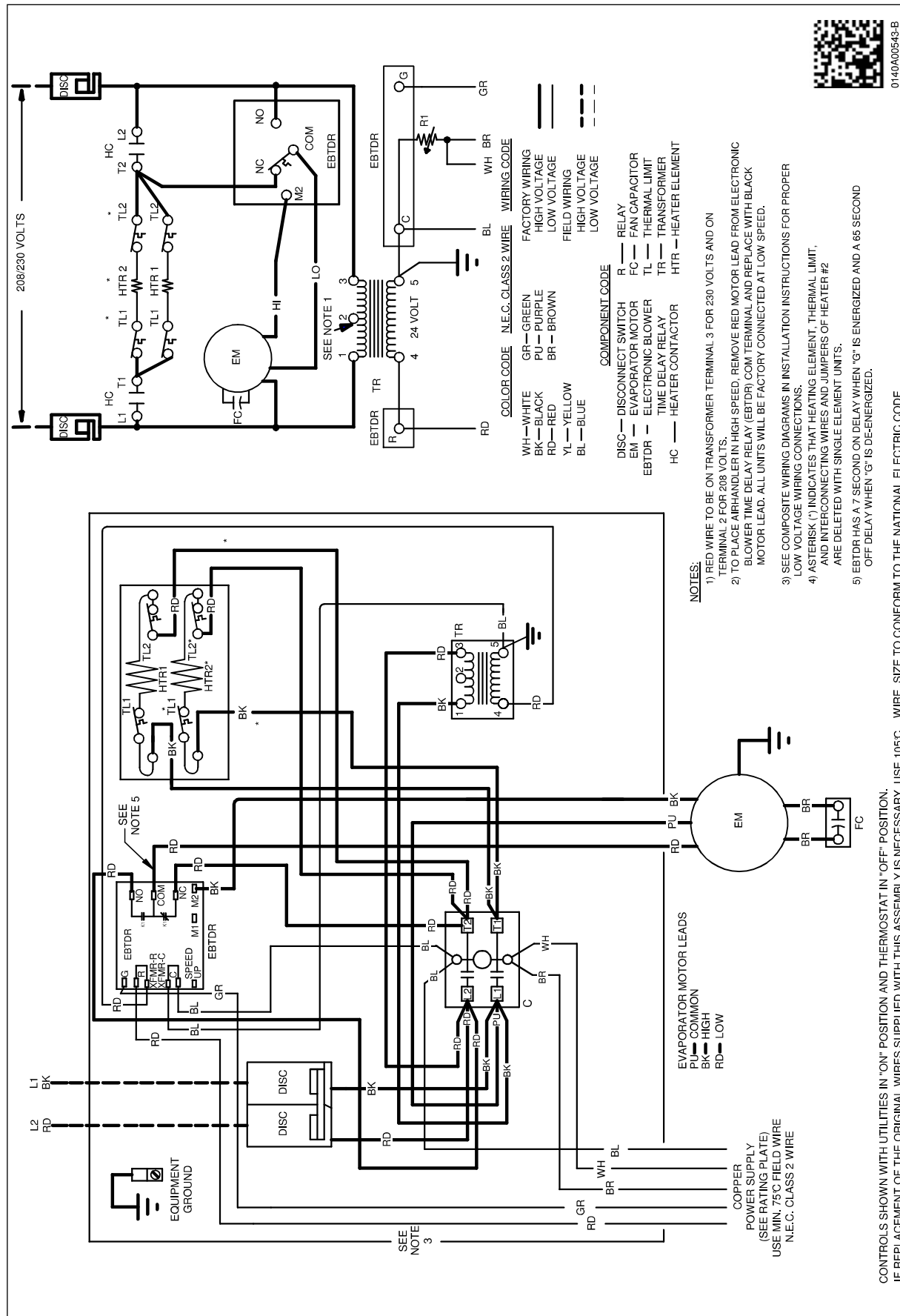
SMALL CHASSIS (AWUF18-25)	
A	36"
B	20 ³ / ₁₆ "
C	16 ⁷ / ₈ "
D	16"
E	11"
Filter	14" x 18" x 1"

LARGE CHASSIS (AWUF30 - 37 / AWUT31, 32, 37)	
A	36"
B	24"
C	21"
D	19 ⁷ / ₈ "
E	15 ⁵ / ₈ "
Filter (30, 36,31,32,37)	18" x 20" x 1"



	A	B	C	D	E	F	G	H	I	J	K	L	M	N
AWUF 18-25	36"	20 $\frac{1}{4}$ "	16 $\frac{1}{2}$ "	16"	11"	1 $\frac{3}{4}$ "	1 $\frac{1}{2}$ "	2 $\frac{1}{4}$ "	$\frac{7}{8}$ "	1 $\frac{1}{2}$ "	1 $\frac{1}{4}$ "	4"	6"	10"
AWUF 30-37, AWUT 31, 32, 37	36"	24"	21"	19 $\frac{1}{8}$ "	16"	4 $\frac{1}{8}$ "	1 $\frac{1}{2}$ "	1 $\frac{3}{4}$ "	2"	1 $\frac{1}{4}$ "	2 $\frac{3}{8}$ "	4"	8"	12"

MODEL	MOTOR SPEED	CFM DELIVERED AGAINST EXTERNAL STATIC PRESSURE				
		0.1"	0.2"	0.3"	0.4"	0.5"
AWUF18XX16B*	High	755	715	670	615	545
	Low	740	700	655	595	535
AWUF19XX16A*	T5	899	870	853	824	800
	T4	635	604	580	546	520
	T3	799	775	747	727	702
	T2	635	604	580	546	520
	T1	635	604	580	546	520
AWUF24XX16B*	High	900	870	835	795	760
	Low	865	835	800	765	725
AWUF25XX16A*	T5	899	870	853	824	800
	T4	635	604	580	546	520
	T3	799	775	747	727	702
	T2	635	604	580	546	520
	T1	635	604	580	546	520
AWUF30XX16B*	High	1255	1120	1100	1020	950
	Low	1115	1010	990	900	820
AWUF310516XX AWUT310516XX	T5	875	865	830	805	765
	T4	1005	975	945	920	890
	T3	840	795	785	745	700
	T2	645	615	550	500	445
	T1	645	615	550	500	445
AWUF310816XX AWUF321016XX AWUT310816XX AWUT321016XX	T5	1090	1065	1040	1015	985
	T4	1005	975	945	920	890
	T3	840	795	785	745	700
	T2	645	615	550	500	445
	T1	645	615	550	500	445
AWUF36XX16B*	High	1215	1145	1070	985	890
	Low	1120	1065	1000	915	820
AWUF37XX16B* AWUT37XX16A*	T5	1315	1290	1260	1230	1200
	T4	1240	1205	1175	1145	1115
	T3	1175	1140	1105	1075	1045
	T2	1060	1020	990	955	925
	T1	1060	1025	995	960	925



0140A00543-B



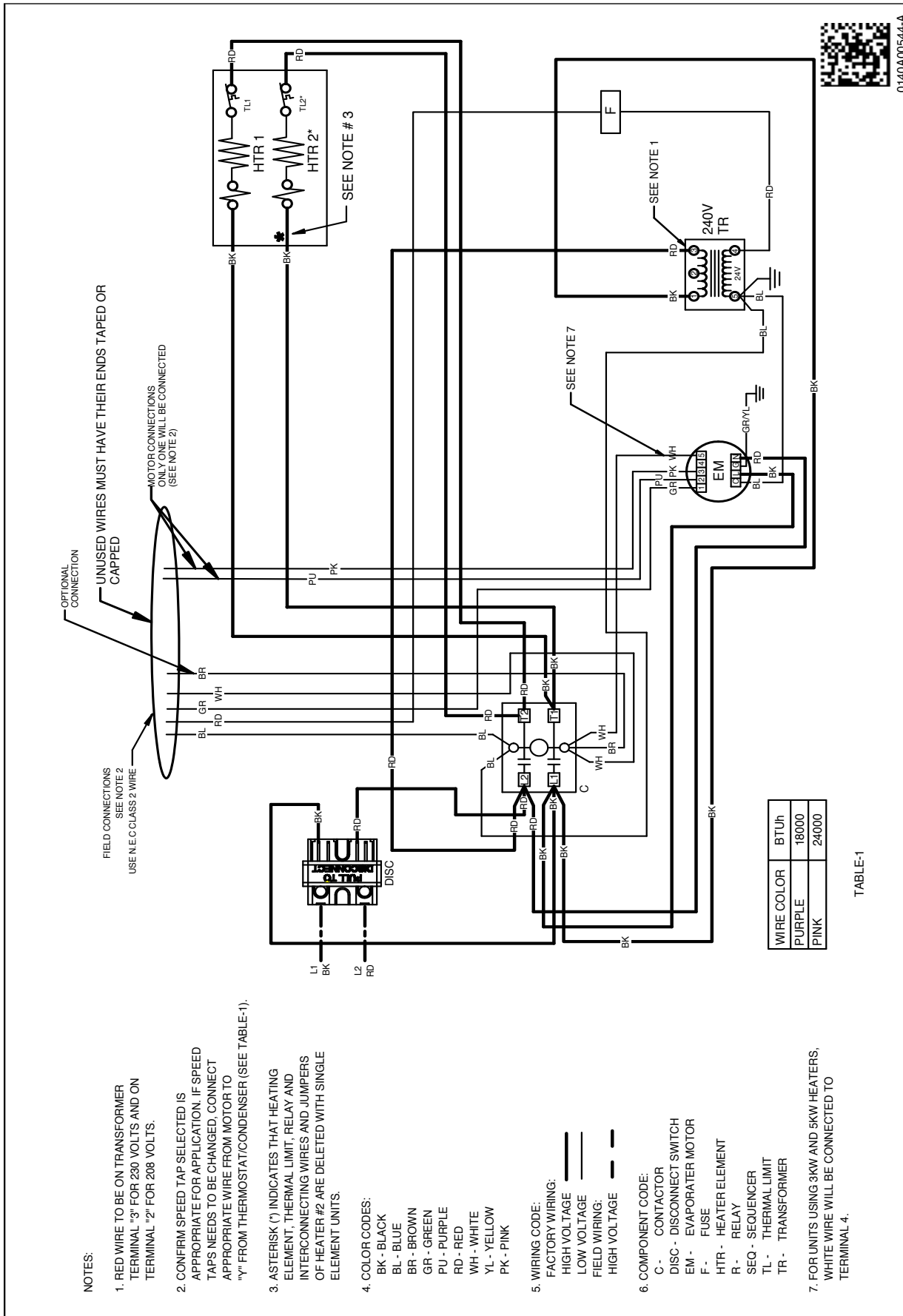
High Voltage: Disconnect all power before servicing or installing this unit. Multiple power sources may be present. Failure to do so may cause property damage, personal injury, or death.



WARNING

Wiring is subject to change. Always refer to the wiring diagram on the unit for the most up-to-date wiring.

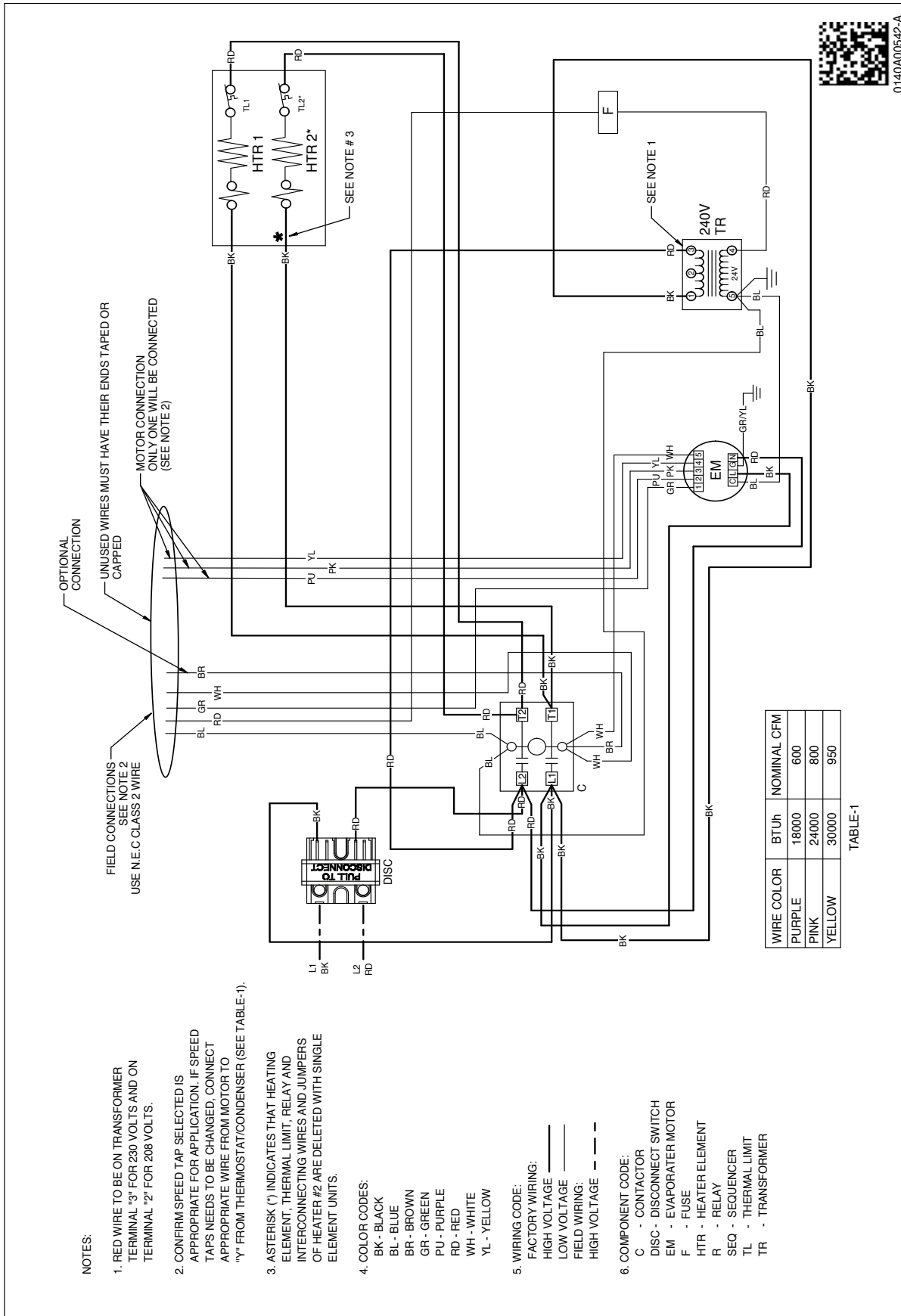
CONTROLS SHOWN WITH UTILITIES IN "ON" POSITION AND THERMOSTAT IN "OFF" POSITION. IF REPLACEMENT OF THE ORIGINAL WIRES SUPPLIED WITH THIS ASSEMBLY IS NECESSARY, USE 105°C WIRE SIZE TO CONFORM TO THE NATIONAL ELECTRIC CODE.



WARNING

⚠

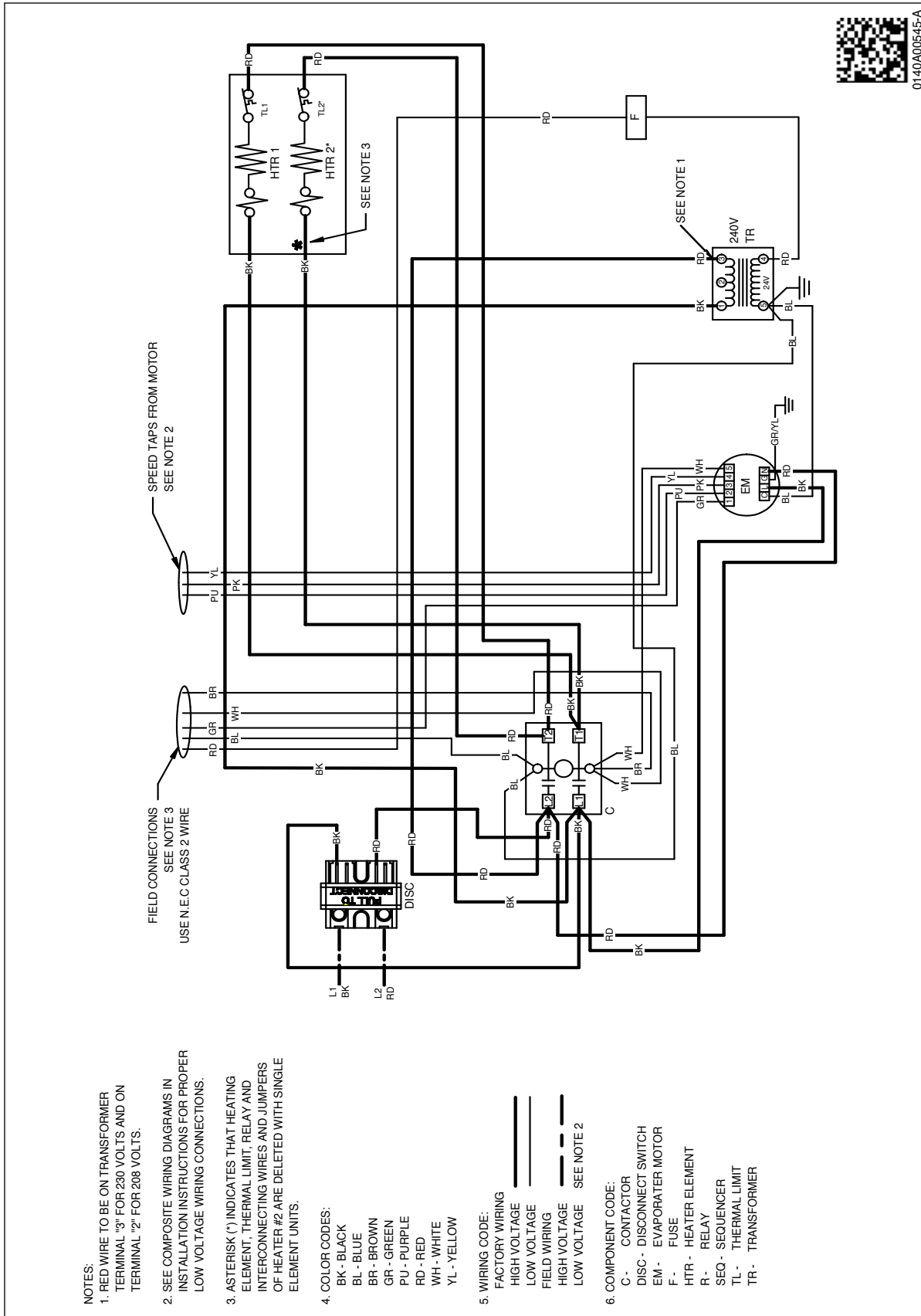
High Voltage: Disconnect all power before servicing or installing this unit. Multiple power sources may be present. Failure to do so may cause property damage, personal injury, or death.



WARNING

High Voltage: Disconnect all power before servicing or installing this unit. Multiple power sources may be present. Failure to do so may cause property damage, personal injury, or death.

Wiring is subject to change. Always refer to the wiring diagram on the unit for the most up-to-date wiring.



Wiring is subject to change. Always refer to the wiring diagram on the unit for the most up-to-date wiring.

WARNING

High Voltage: Disconnect all power before servicing or installing this unit. Multiple power sources may be present. Failure to do so may cause property damage, personal injury, or death.

